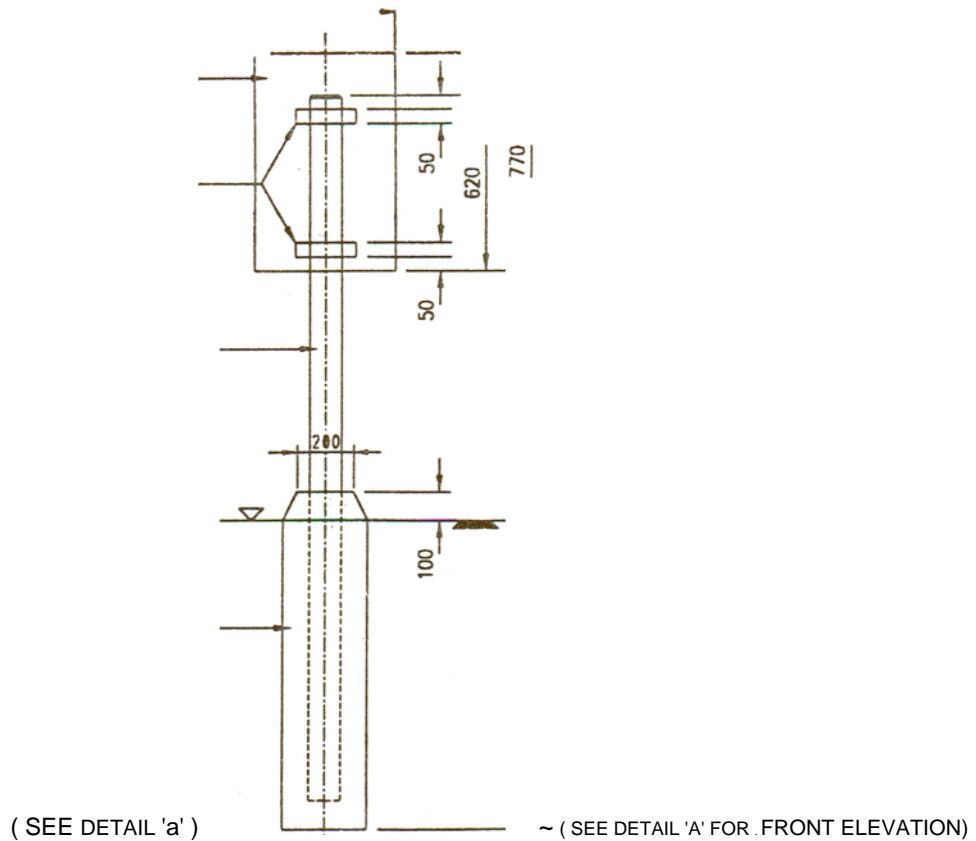


FOURTH SCHEDULE
(Subregulation 25(2))
FIGURE 2
GOVERNMENT OF MALAYSIA
GAS SUPPLY ACT 1993
WARNING SIGN POST



WARNING SIGN POST
(REAR ELEVATION)
N.T.S

NOTES:

1. WARNING SIGN POST 10 8E INSTALLED AT 80TH SIDES OF ROAD, RIVER OR WATER-WAY AND RAILWAY CROSSING.
2. EM6WDW LENGTH OF POST TO BE CLEANED AND CLEARED OF OIL, GREASE, RUST, ETC.
- 3.. ALL WELD ARE TO BE 3MM THICK FILLET WELD.



NAME OF THE GAS COMPANY → COLOUR: BLACK
Code: BS Bo. 00E53)

AWAS → (COLOUR: RED
Code: BS Bo. 04E53)

LALUAN TALIAN PAIP GAS → COLOUR : BLACK
TEKANAN SEDERHANA Code: BS Bo. 00E53)

- 1. DILARANG MEMBUANG DAN MEMBAKAR SAMPAH
01 KAWASAN 1NI
- 2. DILARANG MEMBUAT SEBARANG PEMBINAAN DAN
KERJA-KERJA MENGGALI 01 KAWASAN 1NI
- 3. SEBELUM KERJA-KERJA MENGGALI DILAKUKAN DAN JIKA BERLAKU
KECEMASAN ATAU KEGIATAN MENCURIGAKAN. SILA HUBUNGI:
NOMBOR TELEFON:

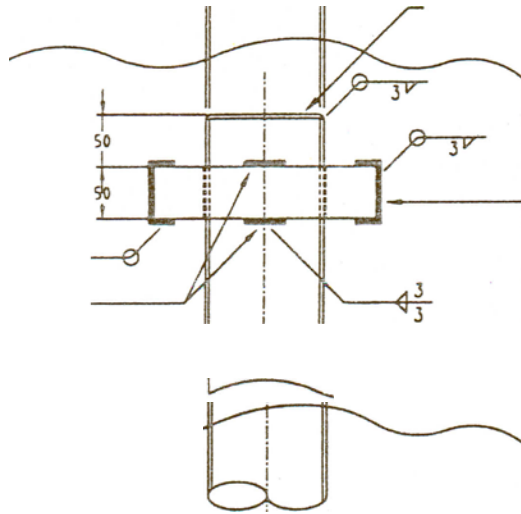
DANGER → COLOUR : YELLOW
CODE: BS NO 3B1C309

GAS PIPELINE PASSAGEWAY
MEDIUM PRESSURE

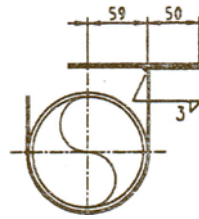
- 1. THROWING OR BURNING ANY RUBBISH IS PROHIBITED IN THIS AREA
- 2. CONSTRUCTION AND EXCAVATION WORK IS PROHIBITED IN
THIS AREA
- 3. PRIOR TO ANY EXCAVATION WORK AND IN CASE OF
EMERGENCY, DAMAGE OR ANY FORM OF SUSPICIOUS CIRCUMSTANCES
PLEASE CONTACT:
TELEPHONE NUMBER:

DETAIL A
N.T.S

- NOTES:
THE PIPELINE WARNING UARKER SHALL BE INSTALLED AT:
- 1. EVERY SOOM INTERVAL.
 - 2. EACH SIDE OF HIGHWAY, RIVER OR RAILWAY CROSSING (AT THE LIMIT OF RIGHT OF WAY)
 - 3. AS AND WHEN REQUIRED BY THE GAS COMPANY.



DETAIL 'B'
N.T.S



SECTION B - B
N.T.S